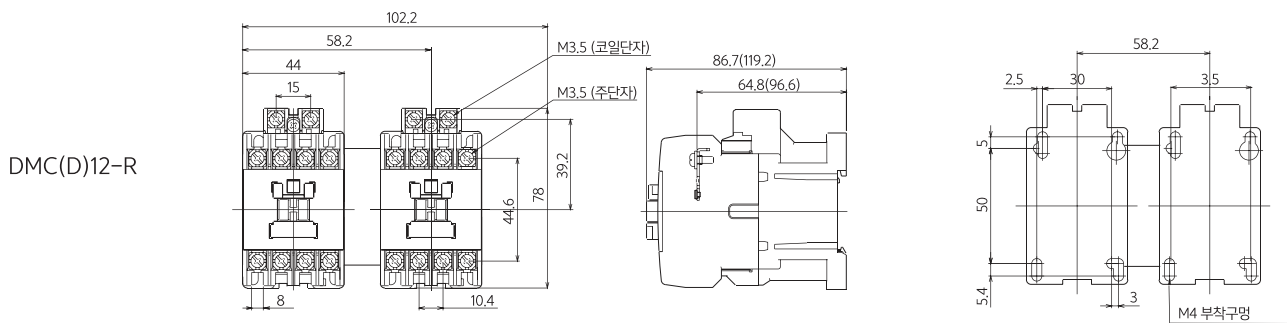
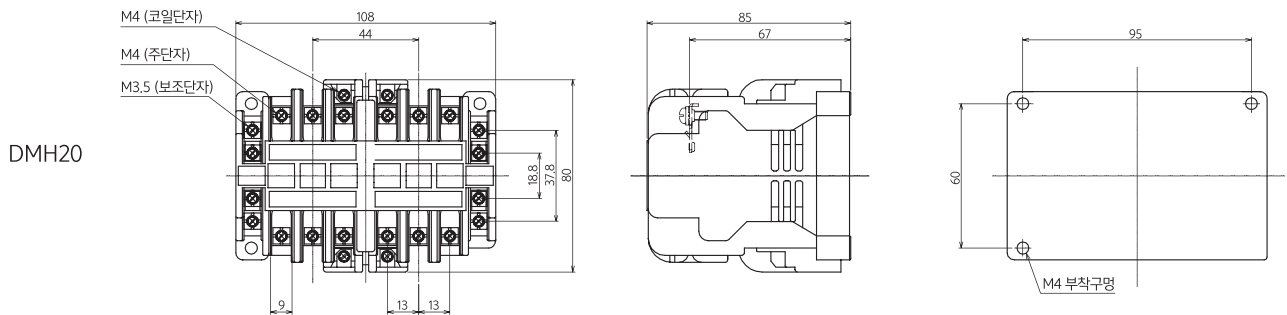
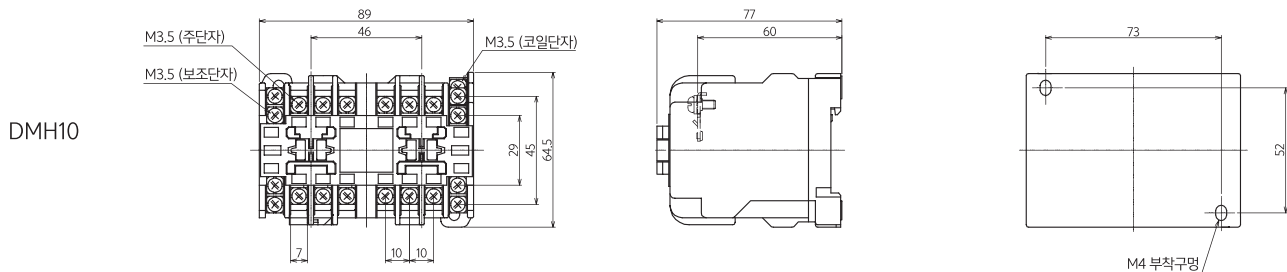


# 가역식 전자접촉기/개폐기

## ● 외형치수 및 접점구성 \_ 가역식 전자접촉기

형명 Model	외형치수 External Dimensions	설치치수 Installation Dimensions
----------	--------------------------	------------------------------



형명	DMH10	DMH20	DMC(D)12-R
접점 구성	<p>Terminal connections for DMH10: 13, 21, 1/L1, 3/L2, 5/L3, A1, 1/L1, 3/L2, 5/L3, 43, 31, A1, 14, 22, 2/T1, 4/T2, 6/T3, A2, 2/T1, 4/T2, 6/T3, 44, 32, A2.</p>	<p>Terminal connections for DMH20: 13, 21, 1/L1, 3/L2, 5/L3, A1, 1/L1, 3/L2, 5/L3, 43, 31, A1, 14, 22, 2/T1, 4/T2, 6/T3, A2, 2/T1, 4/T2, 6/T3, 44, 32, A2.</p>	<p>Terminal connections for DMC(D)12-R: 1/L1, 3/L2, 5/L3, 01, A1, A2, 1/L1, 3/L2, 5/L3, 01, A1, A2, 2/T1, 4/T2, 6/T3, 02, 2/T1, 4/T2, 6/T3, 02.</p>