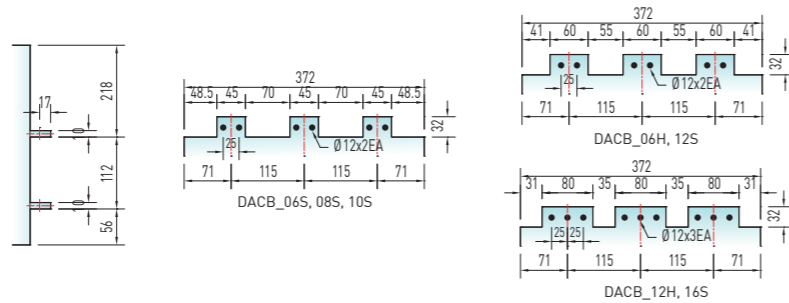


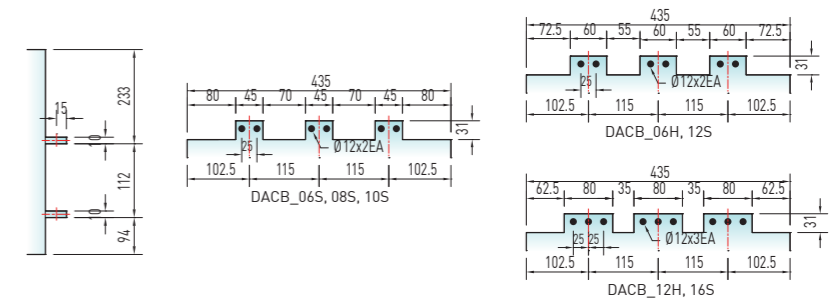
ACB06/16 S 3P (630A~1600A)
고정형[FIXED TYPE]

Dimension	T(mm)	W(mm)
Current		
630A ~ 1000A	10	45
1250A	10	60
1600A	10	80



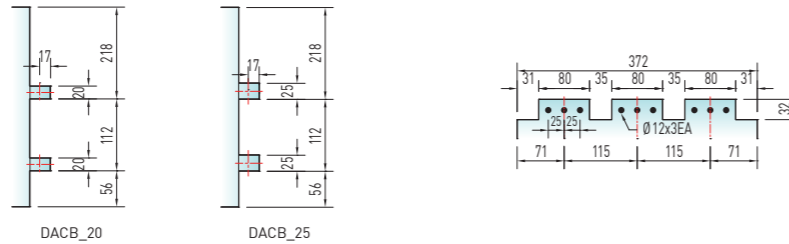
ACB06/16 S 3P (630A~1600A)
인출형[DRAWOUT TYPE]

Dimension	T(mm)	W(mm)
Current		
630A ~ 1000A	10	45
1250A	10	60
1600A	10	80



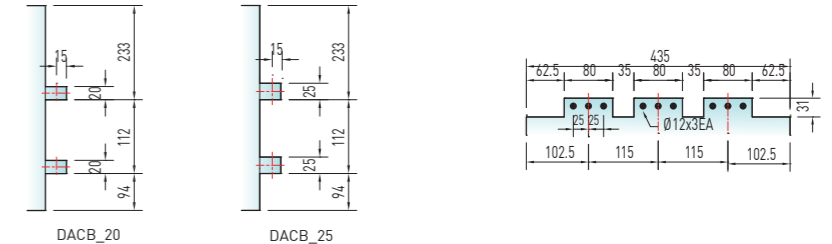
ACB20/25 S 3P (2000A~2500A)
고정형[FIXED TYPE]

Dimension	T(mm)	W(mm)
Current		
2000A	20	80
2500A	25	80



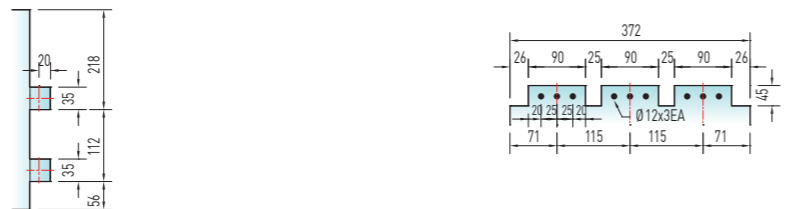
ACB20/25 S 3P (2000A~2500A)
인출형[DRAWOUT TYPE]

Dimension	T(mm)	W(mm)
Current		
2000A	20	80
2500A	25	80



ACB32 S 3P (3200A)
고정형[FIXED TYPE]

Dimension	T(mm)	W(mm)
Current		
3200A	35	90

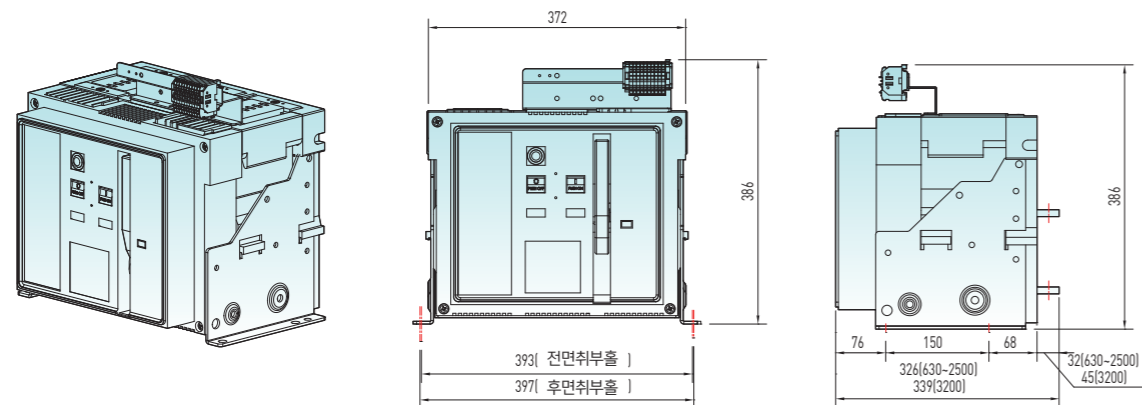


ACB32 S 3P (3200A)
인출형[DRAWOUT TYPE]

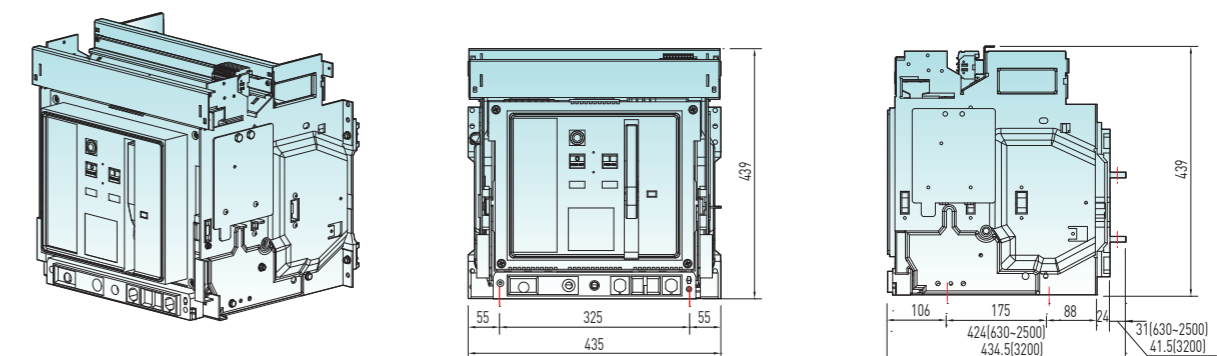
Dimension	T(mm)	W(mm)
Current		
3200A	34	99



ACB(630A~3200A) S-TYPE 3P
고정형[FIXED TYPE]

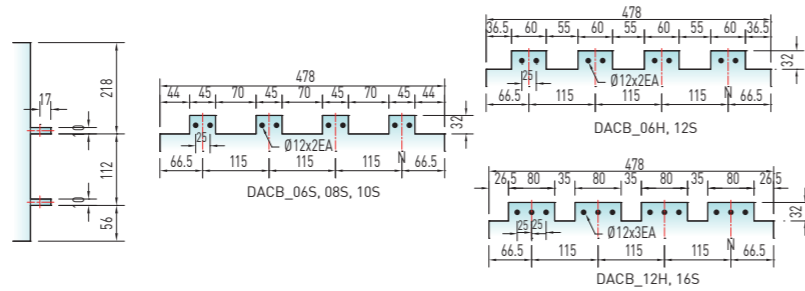


ACB(630A~3200A) S-TYPE 3P
인출형[DRAWOUT TYPE]



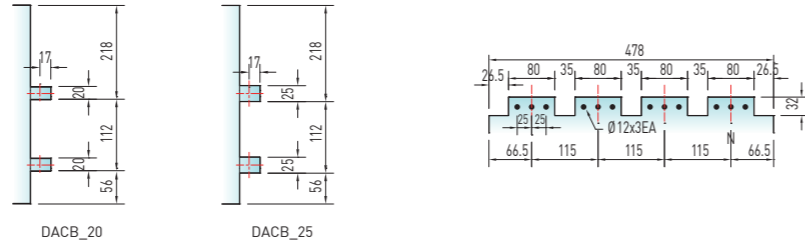
ACB06/16 S 4P (630A~1600A)
고정형[FIXED TYPE]

Dimension	T(mm)	W(mm)
Current		
630A ~ 1000A	10	45
1250A	10	60
1600A	10	80



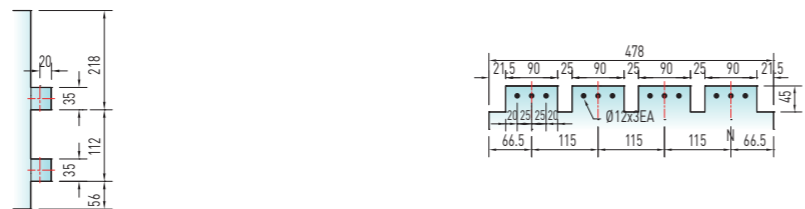
ACB20/25 S 4P (2000A~2500A)
고정형[FIXED TYPE]

Dimension	T(mm)	W(mm)
Current		
2000A	20	80
2500A	25	80

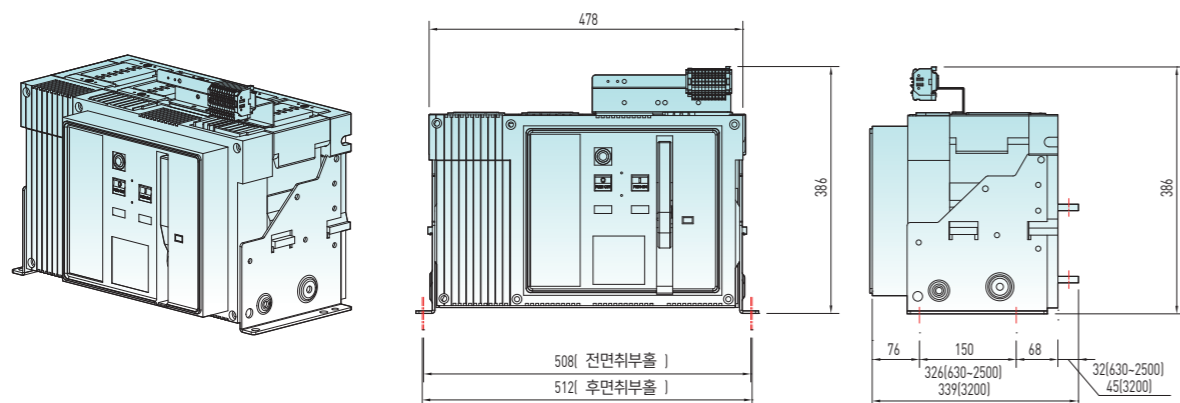


ACB32 S 4P (3200A)
고정형[FIXED TYPE]

Dimension	T(mm)	W(mm)
Current		
3200A	35	90

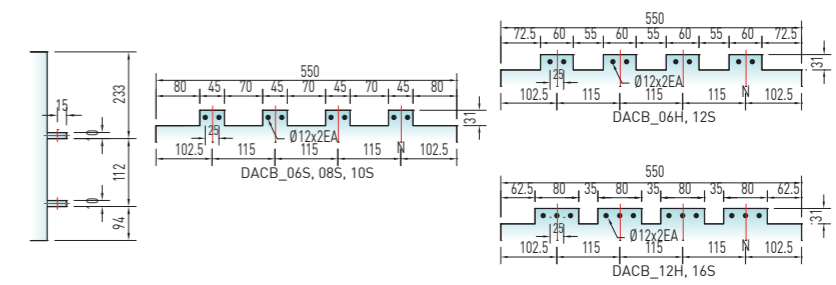


ACB(630A~3200A) S-TYPE 4P
고정형[FIXED TYPE]



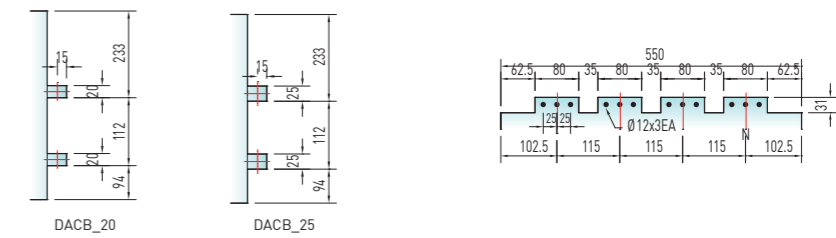
ACB06/16 S 4P (630A~1600A)
인출형[DRAWOUT TYPE]

Dimension	T(mm)	W(mm)
Current		
630A ~ 1000A	10	45
1250A	10	60
1600A	10	80



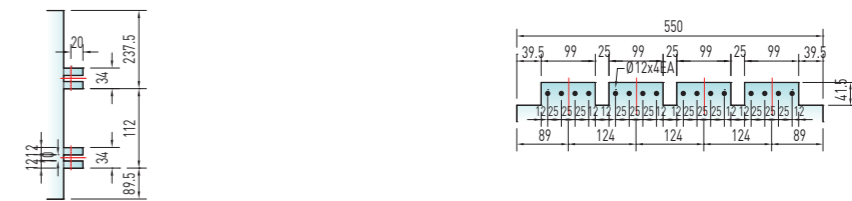
ACB20/25 S 4P (2000A~2500A)
인출형[DRAWOUT TYPE]

Dimension	T(mm)	W(mm)
Current		
2000A	20	80
2500A	25	80

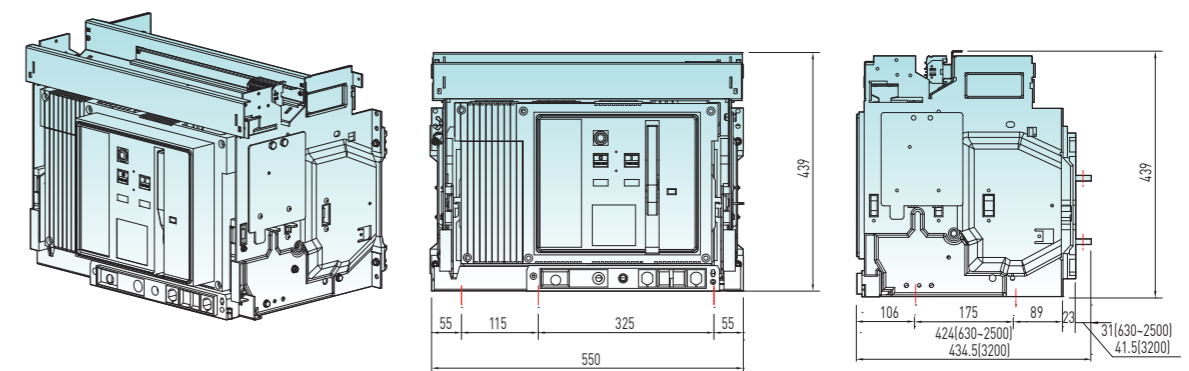


ACB32 S 4P (3200A)
인출형[DRAWOUT TYPE]

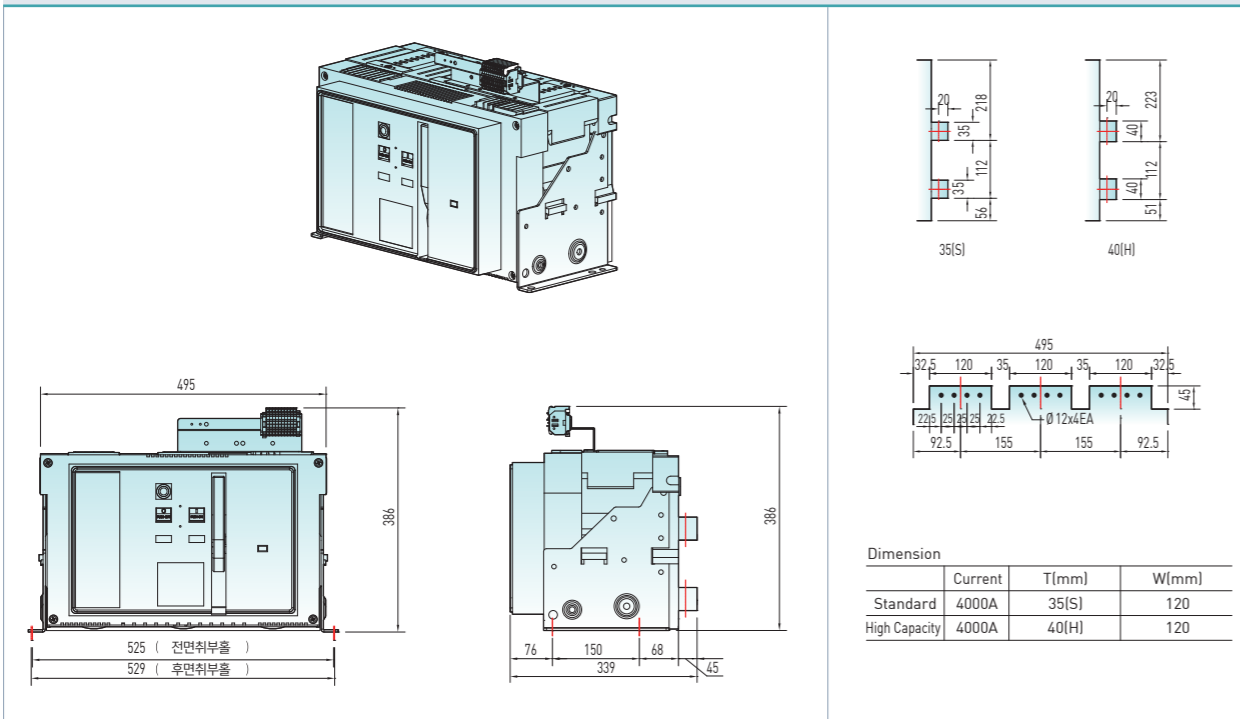
Dimension	T(mm)	W(mm)
Current		
3200A	34	99



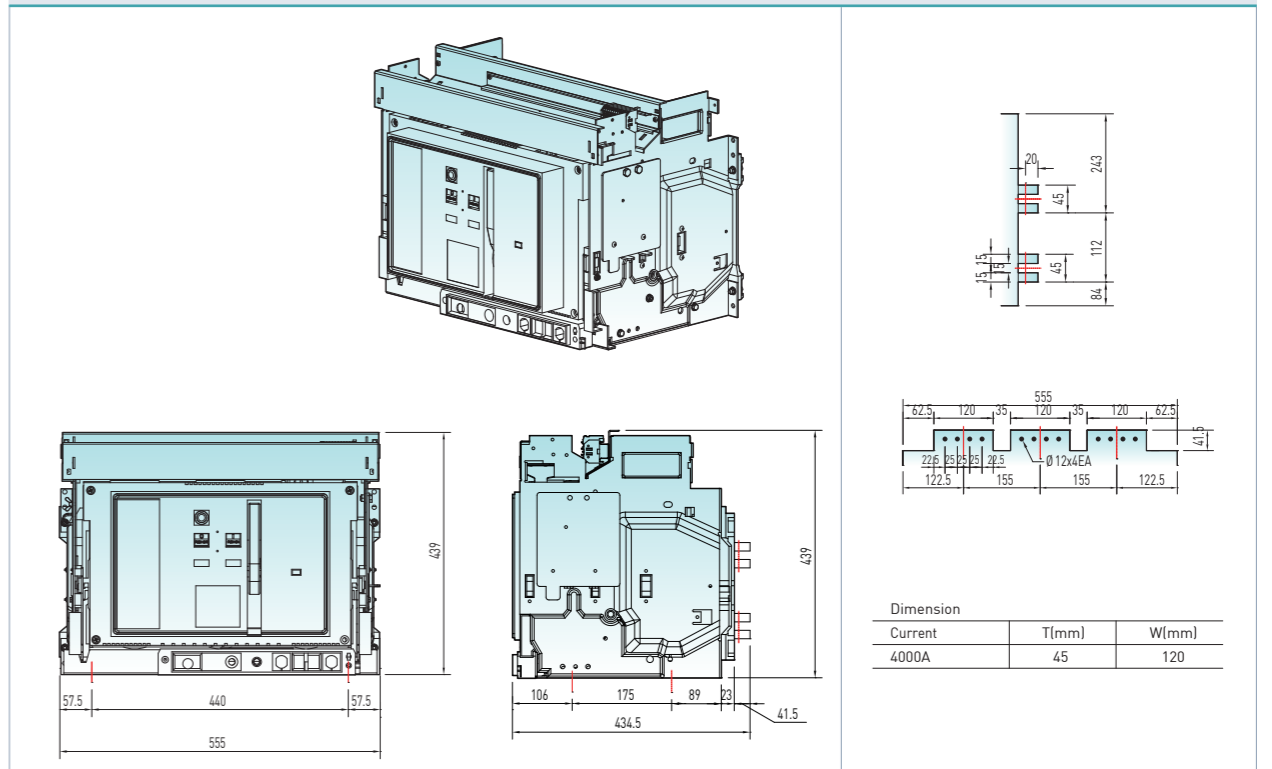
ACB(630A~3200A) S-TYPE 4P
인출형[DRAWOUT TYPE]



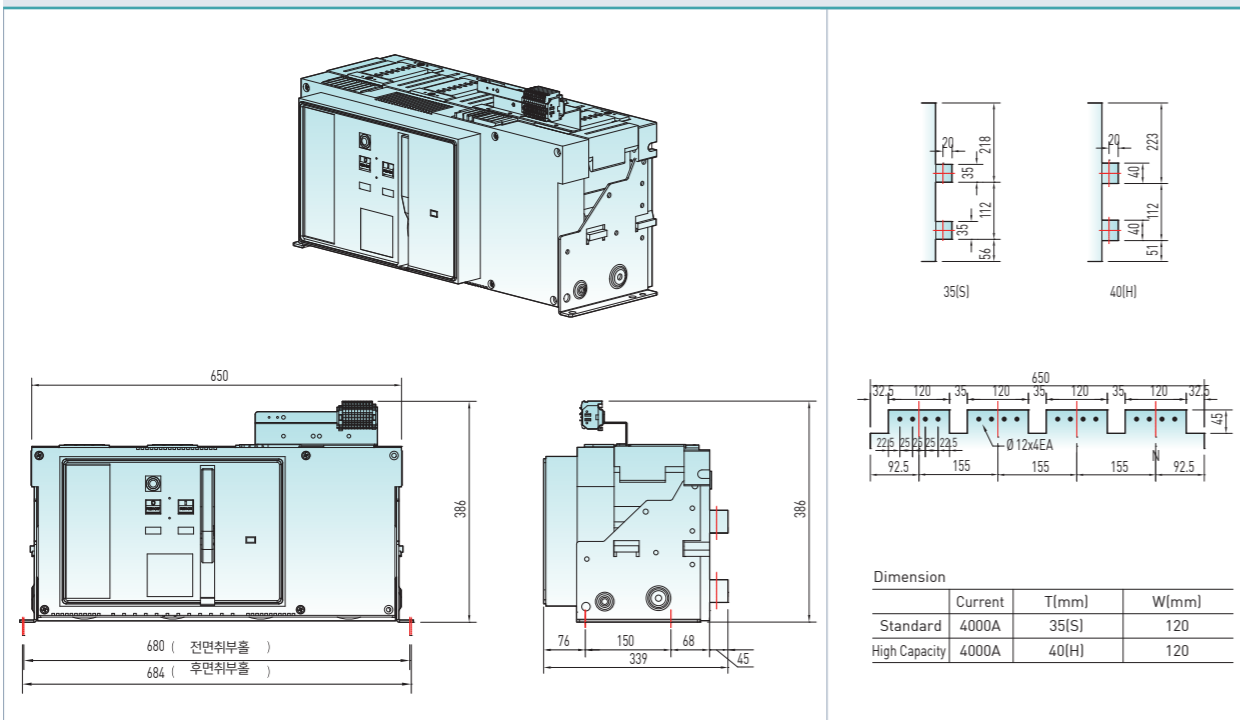
ACB(4000A) S-TYPE 3P
고정형[FIXED TYPE]



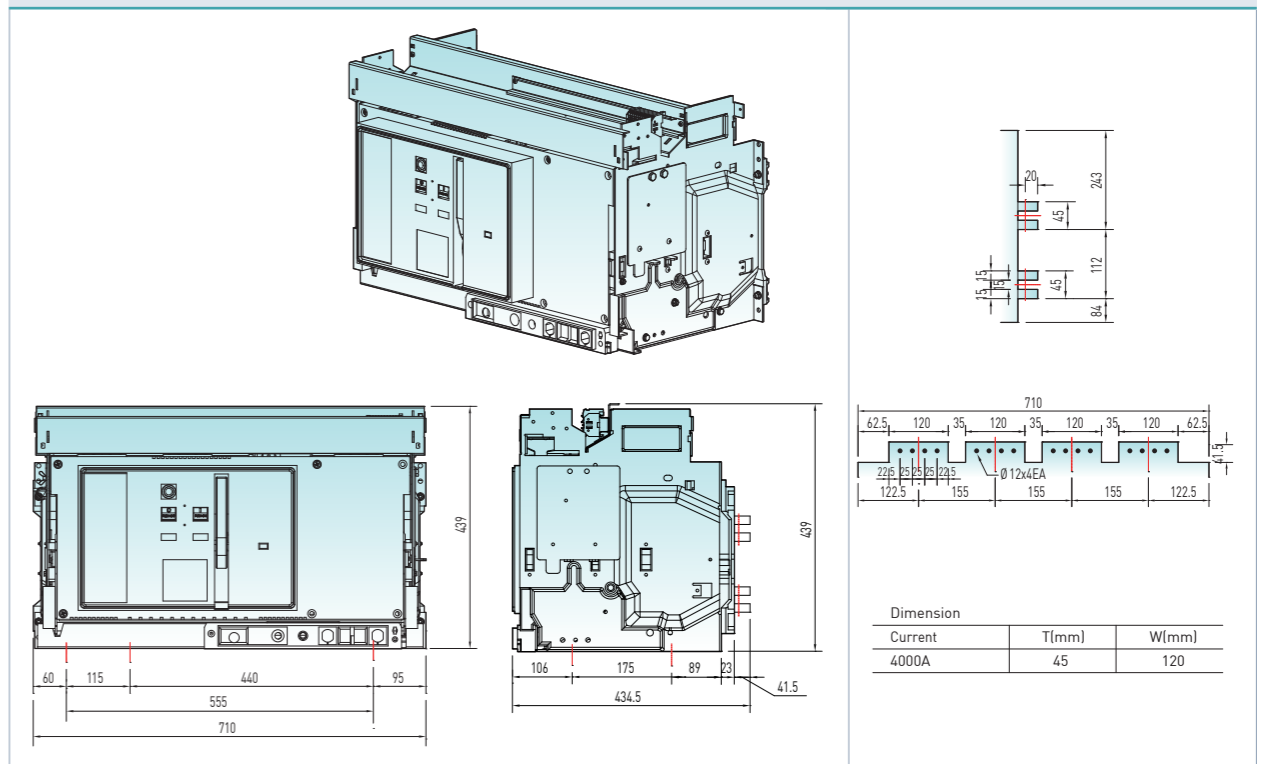
ACB(4000A) S-TYPE 3P
인출형[DRAWOUT TYPE]



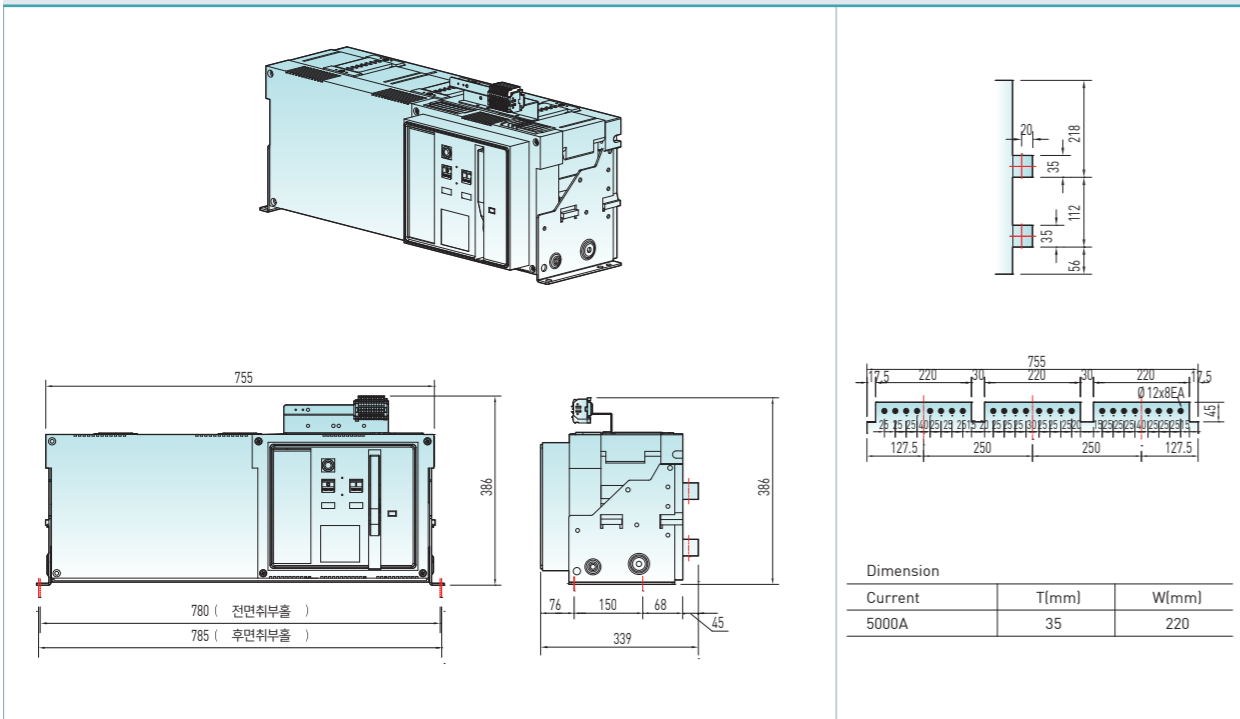
ACB(4000A) S-TYPE 4P
고정형[FIXED TYPE]



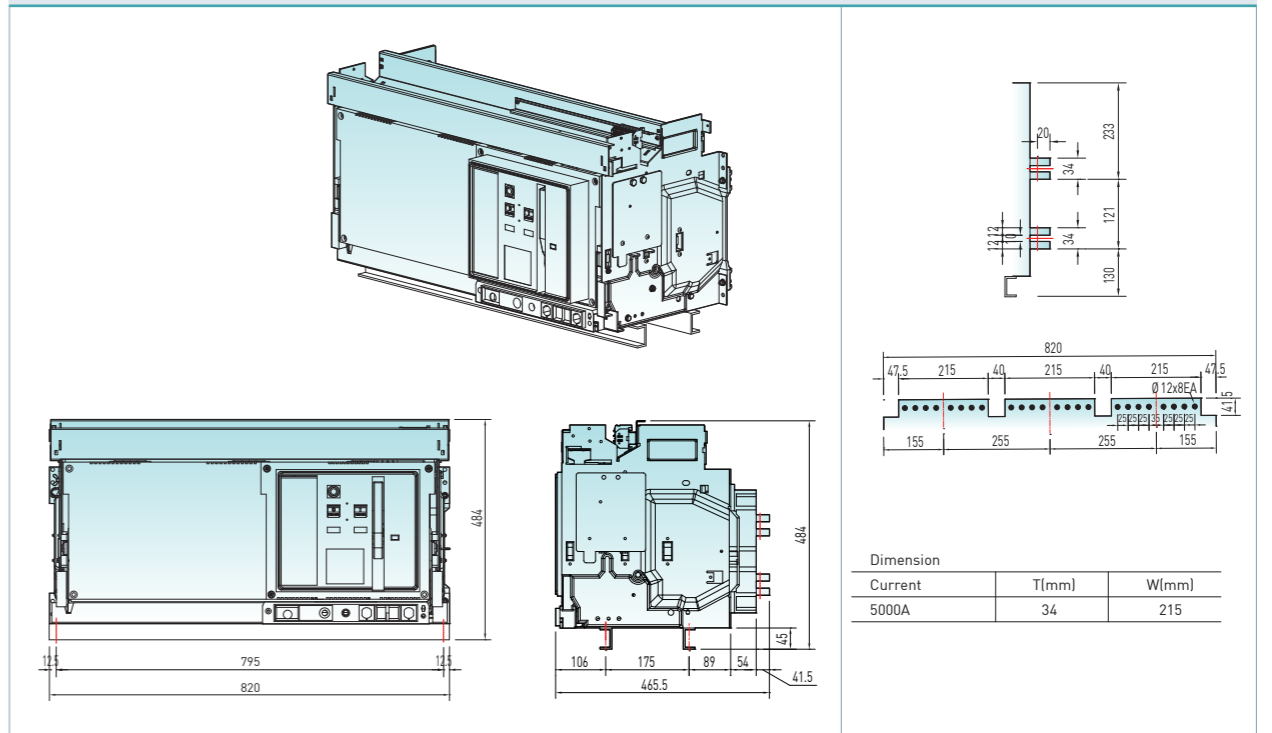
ACB(4000A) S-TYPE 4P
인출형[DRAWOUT TYPE]



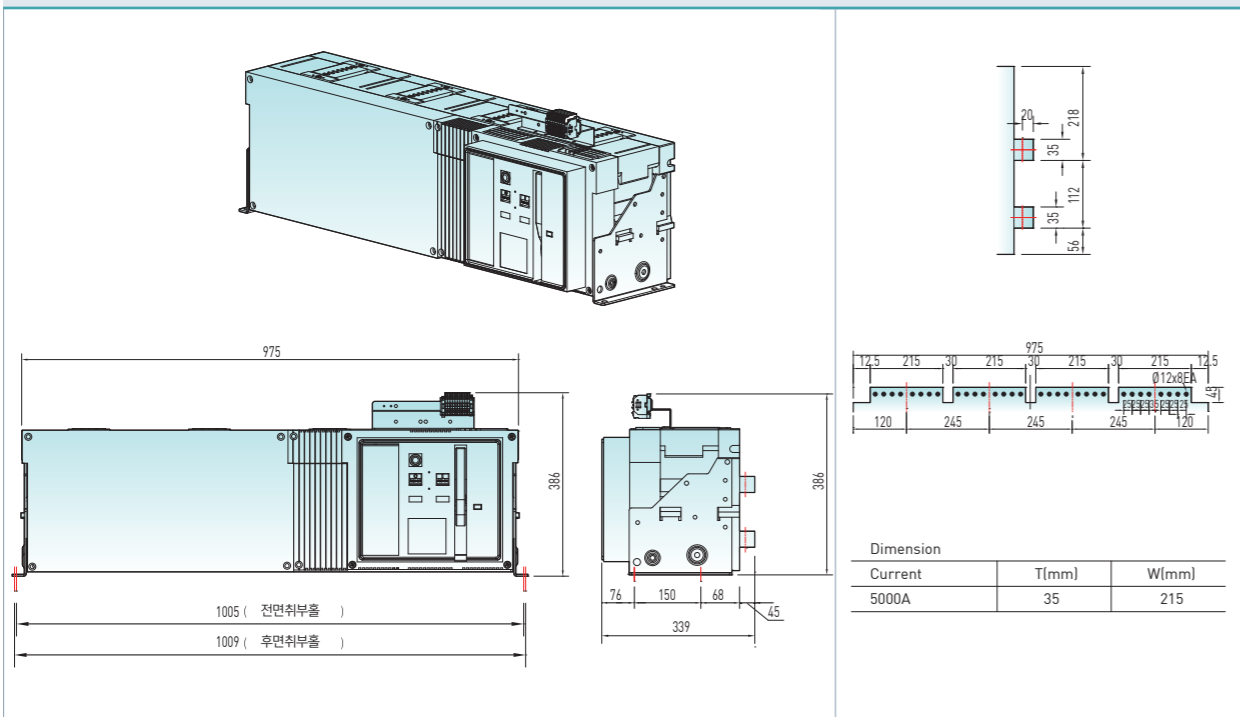
ACB(5000A) S-TYPE 3P
고정형[FIXED TYPE]



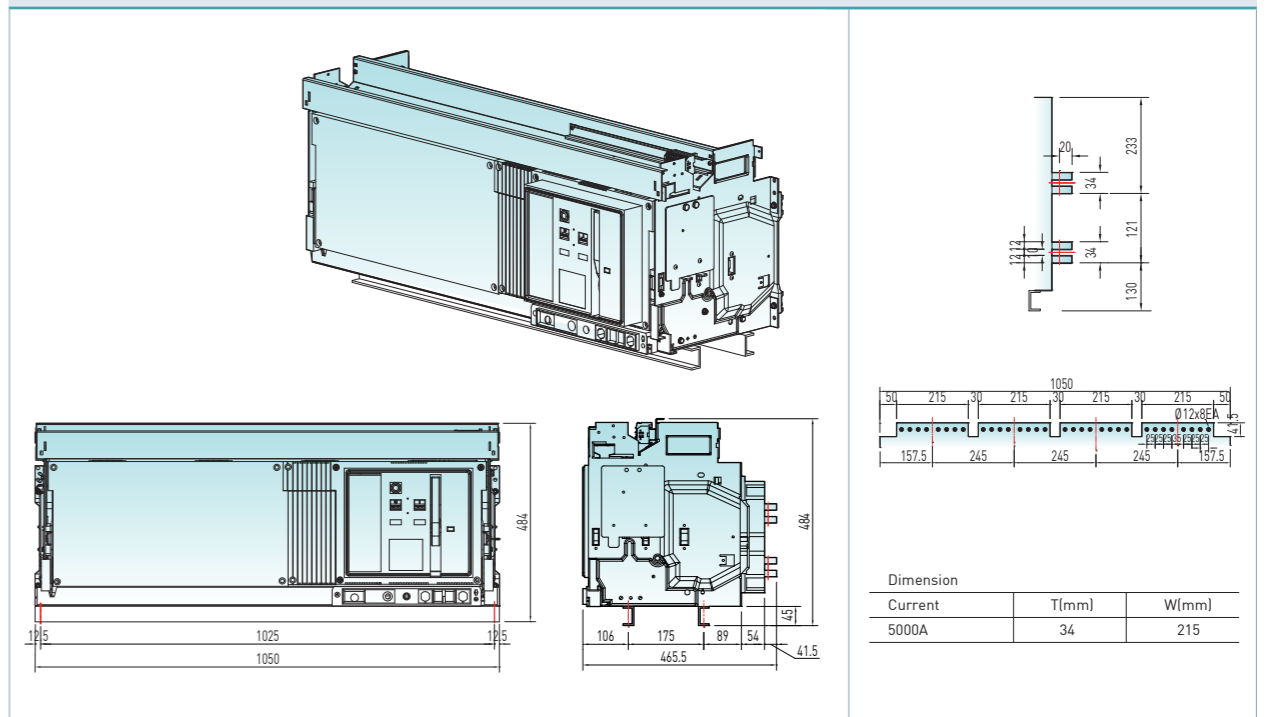
ACB(5000A) S-TYPE 3P
인출형[DRAWOUT TYPE]



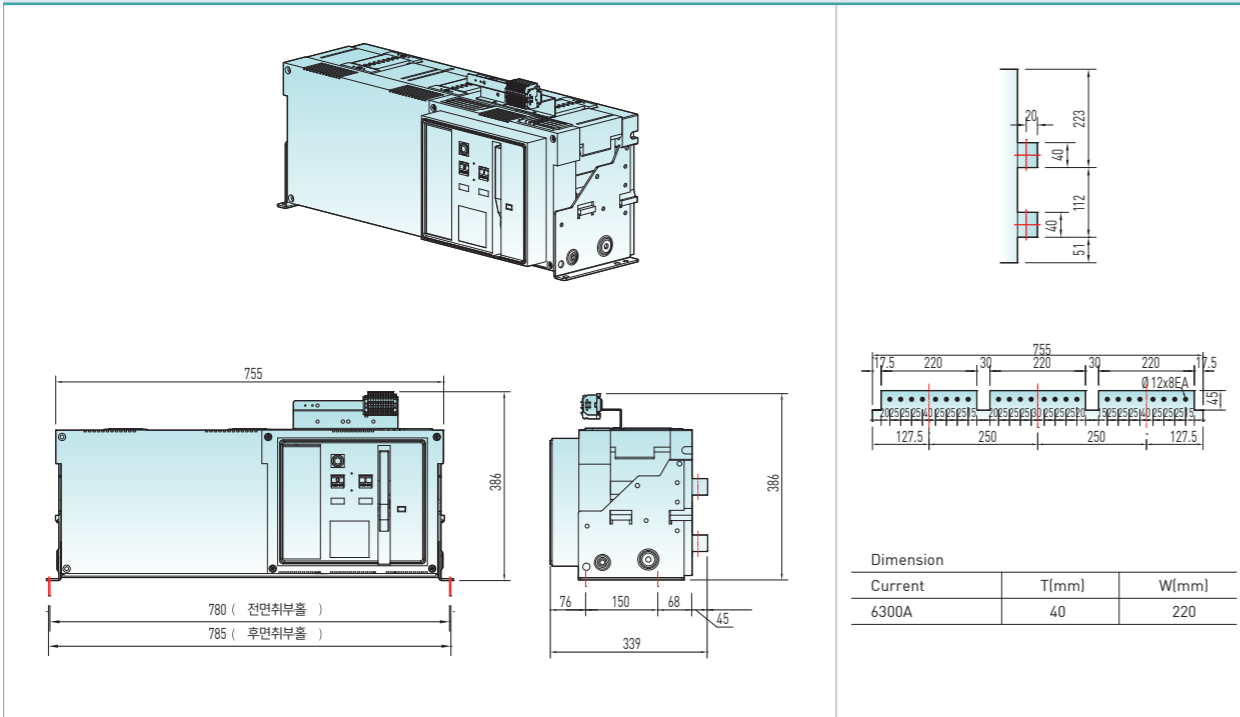
ACB(5000A) S-TYPE 4P
고정형[FIXED TYPE]



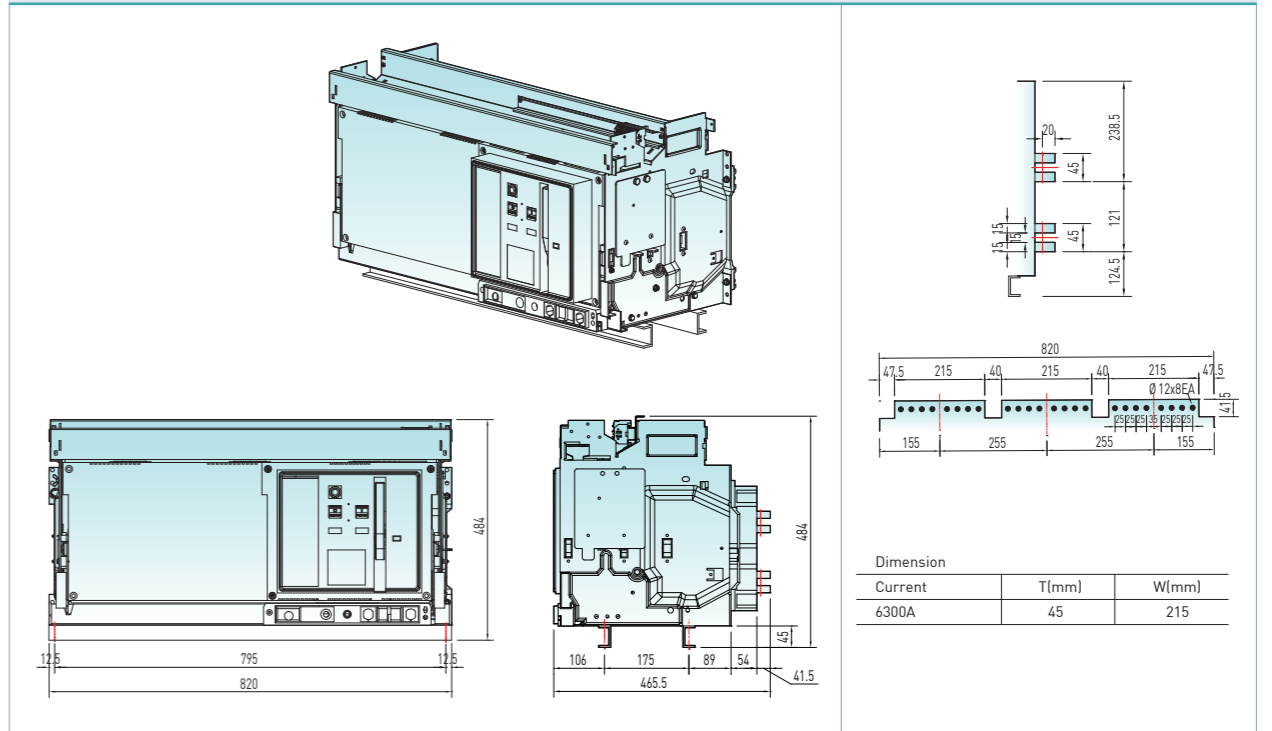
ACB(5000A) S-TYPE 4P
인출형[DRAWOUT TYPE]



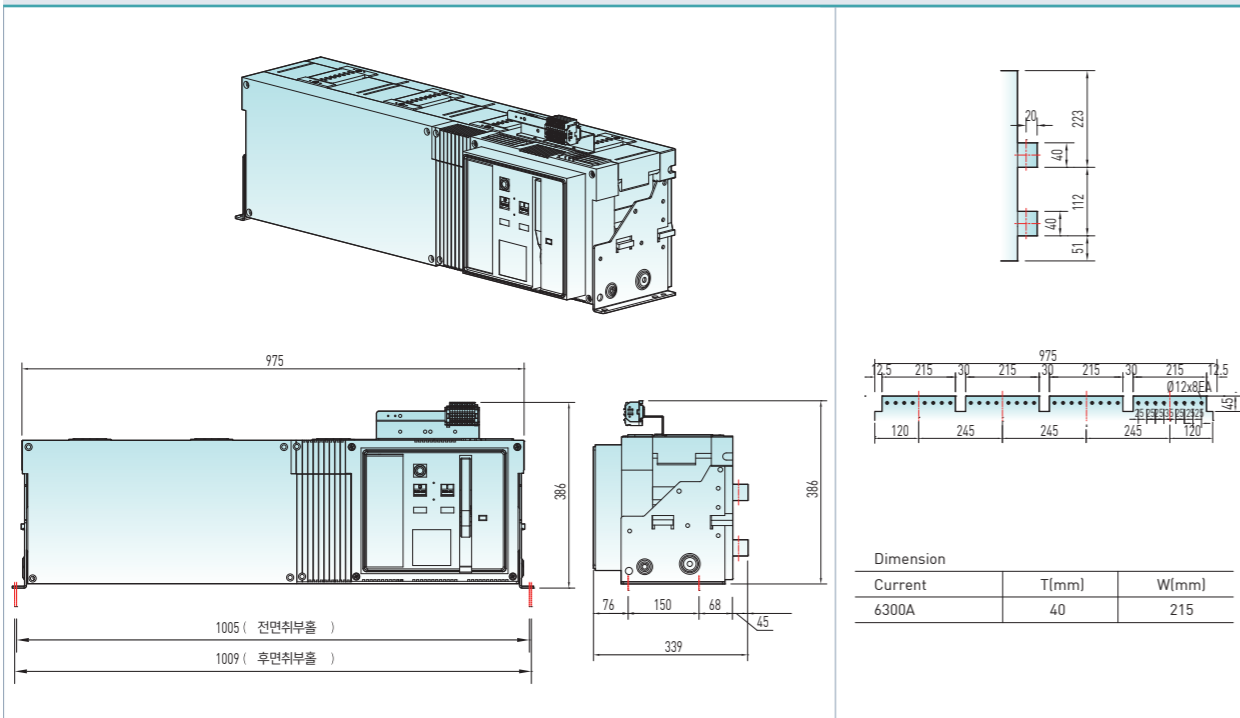
ACB(6300A) S-TYPE 3P
고정형[FIXED TYPE]



ACB(6300A) S-TYPE 3P
인출형[DRAWOUT TYPE]



ACB(6300A) S-TYPE 4P
고정형[FIXED TYPE]



ACB(6300A) S-TYPE 4P
인출형[DRAWOUT TYPE]

